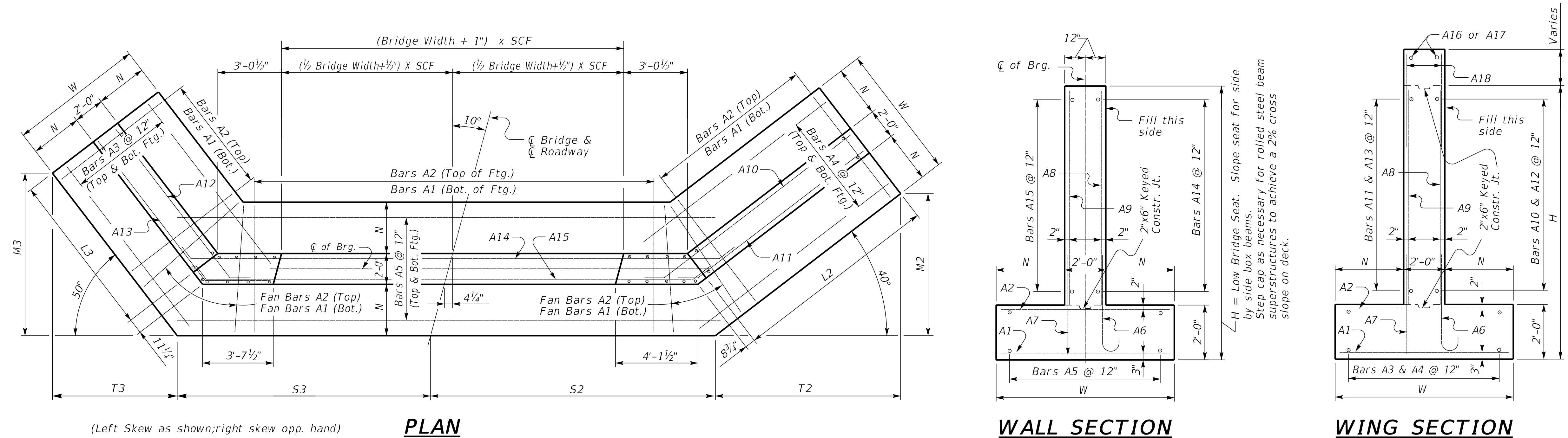
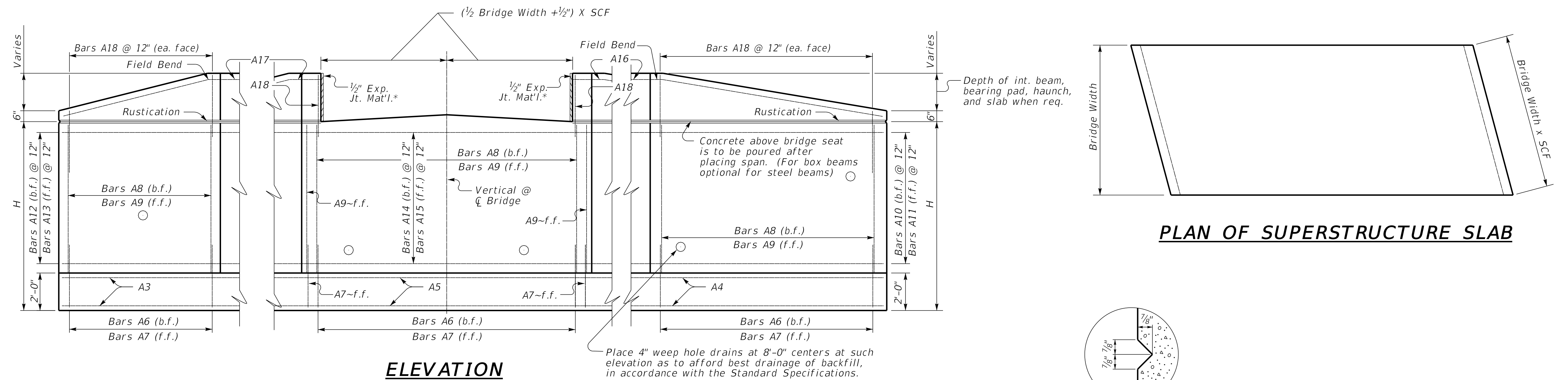


# 10° SKEW VARIABLE BRIDGE WIDTH 2:1 FILL SLOPES WINGS SKEWED 50% FROM ROADWAY TO BREASTWALL

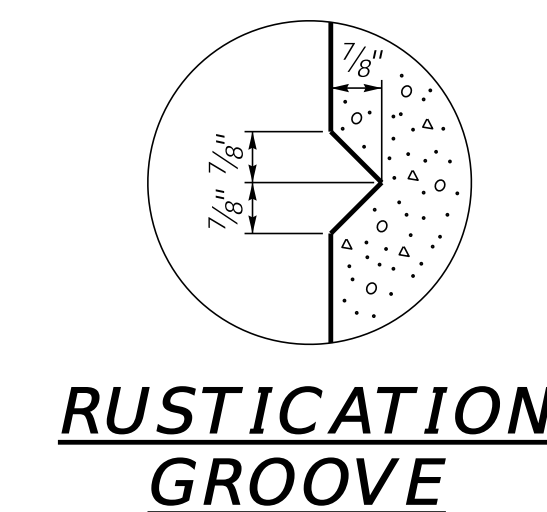
ABUTMENT SKEW CORRECTION FACTOR (SCF) = 1.015



Note: Trim A16 & A17 bars if necessary



\*Expansion Joint Material:  
AASHTO M153  
Type-I Sponge Rubber  
Type-II Cork permitted with contractor provided documentation that the Build America Buy America requirements are satisfied.



SUBMITTED *Michael Cost* 10/25/2024  
DIVISION DIRECTOR DATE



COMMONWEALTH OF KENTUCKY  
DEPARTMENT OF HIGHWAYS



DRAWING TITLE: SEPIA 051 - 10° SKEW VARIABLE WIDTH ABUTMENT 50% SKEWED WINGS

ITEM NO. COUNTY OF

SHEET NO.